

■DESCRIPTION

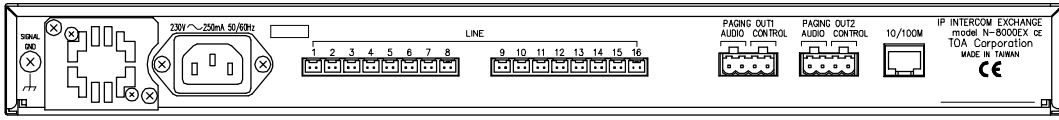
The IP Intercom Exchange uses packet audio technology to permit connection of up to sixteen N-8000 Series stations, and features two outputs for public address paging. Hands-free conversation is possible between stations. Moreover, the exchange is equipped with a networking interface, allowing up to 192 exchanges to be connected over a network using additional IP intercom exchanges. The Exchange can be mounted in an EIA standard rack (1-unit size) or to a wall using the supplied bracket.

■SPECIFICATIONS

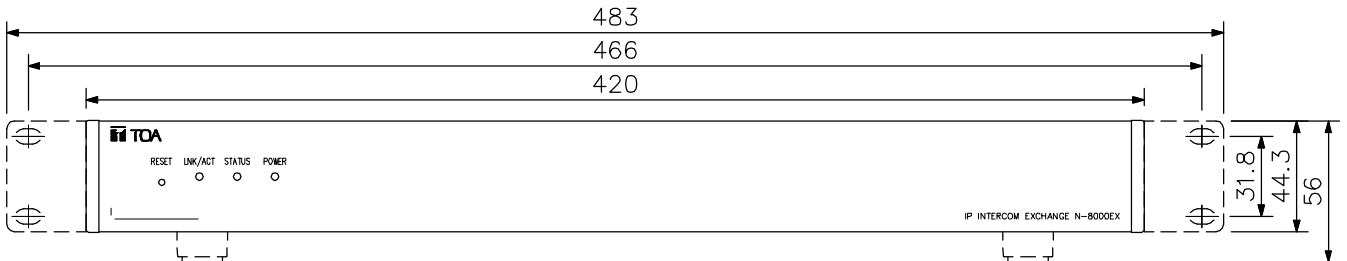
* 0 dB = 1 V

Power Source	230 V AC, 50/60 Hz
Power Consumption	50 W (at rated), 75 W (max.)
Interface Section for station	Number of lines: 16 lines Number of speech link: Internal: 4/External: 8 Type of Speech Path: Space sharing/Time Space sharing Transmission system: 2 wire 160 kbps echo canceller transmission system Signal Level: 0 dB* or less Transmission range: Max. 1500 m (∅0.65 mm, Loop resistance 170 Ω) Speech method: Simultaneous conversation by way of echo canceller (Hands-free), Simultaneous conversation by way of echo canceller or Half-duplex conversation by way of voice switch (Handset), PTT conversation Connector: Dedicated connector Wiring method: 1 set of twisted pair cable Feeding voltage/current: 48 V DC, Max. 70 mA
Paging Output	Audio: 2 channels Max. 0 dB*, 600 Ω, balanced Control: 2 channels, relay contact output, contact capacity: 24 V DC/0.5 A Connector: Removable terminal block
Network Section	Network I/F: 10BASE-T/100BASE-TX (Automatic-Negotiation) Network protocol: TCP/IP, UDP, HTTP, RTP, ARP, ICMP, IGMP Audio packet transmission system: Unicast, Multicast Number of paging destinations: Unicast (max. 16), Multicast (max. 191) Connector: RJ45 connector Voice sampling frequency: 16 kHz, 8 kHz (controllable on the software) Quantifying bit number: 16-bit Voice encoding method: Sub-band ADPCM, Cryptosystem Voice packet loss recovery: Silence insertion Audio delay time: 80 ms, 320 ms (controllable on the software)
Indication	Network LNK/ACT indication, Status lamp, Power-on indication lamp
Other	Firmware update function, System data hold function, Reset switch (front panel) Forced air cooling, Time of day hold facility
Installation Method	Rack, Desk, Surface mount
Operating Temperature	0 °C to +40 °C
Operating Humidity	90 %RH or less (no condensation)
Finish	Pre-coated steel plate, black, 30 % gloss
Dimensions	420 (W) x 44.3 (H) x 356 (D) mm
Weight	4.1 kg
Accessory	AC power cord (2 m) ∴1, CD (for PC setting, maintenance use) ∴1, Removable terminal plug (4 pins) ∴2, Mini-clamp plug (2 pins) ∴20, Plastic foot ∴4, Screw for fitting plastic foot ∴4, Rack mounting bracket ∴2, Screw for rack mounting ∴4, Wall mounting bracket ∴2, Screw for mounting bracket ∴8, Screw for wall mounting ∴4

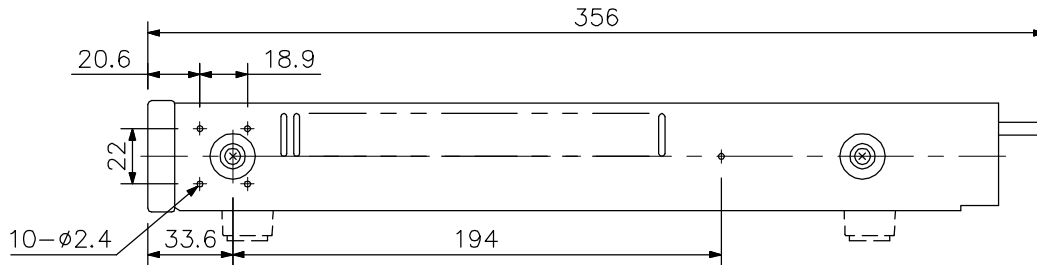
■ APPEARANCE



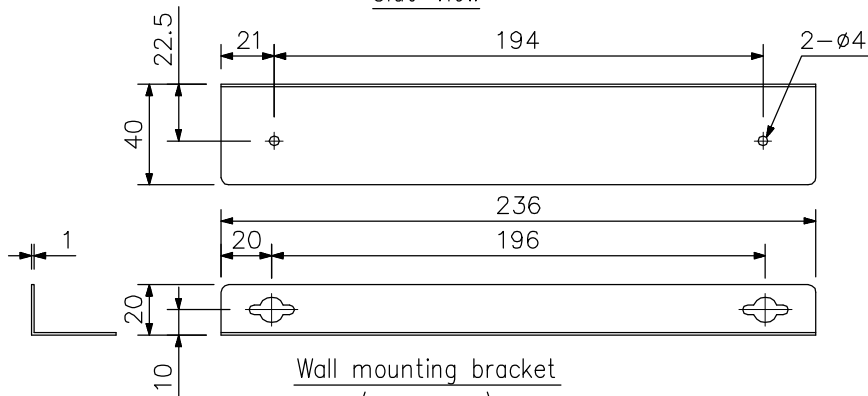
Rear View



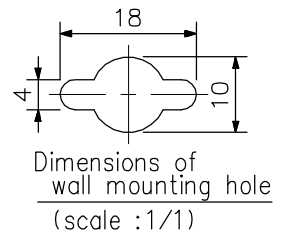
Front View



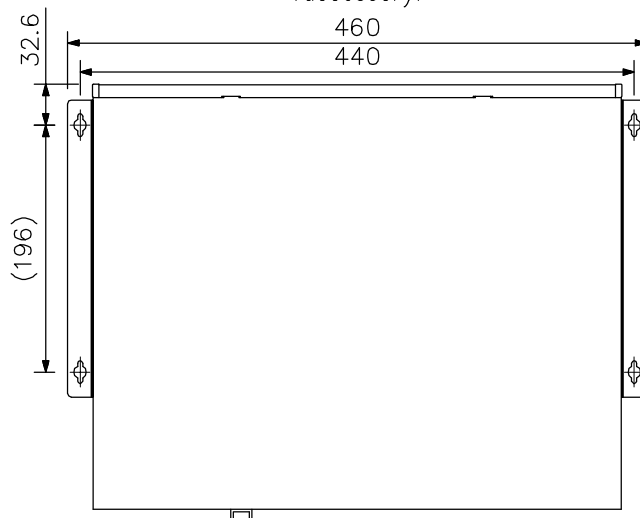
Side View



Wall mounting bracket
(accessory)



Dimensions of
wall mounting hole
(scale: 1/1)



Wall mounting installation
(scale: 1/6)

UNIT: mm SCALE: 1/3